

Tremendously powerful

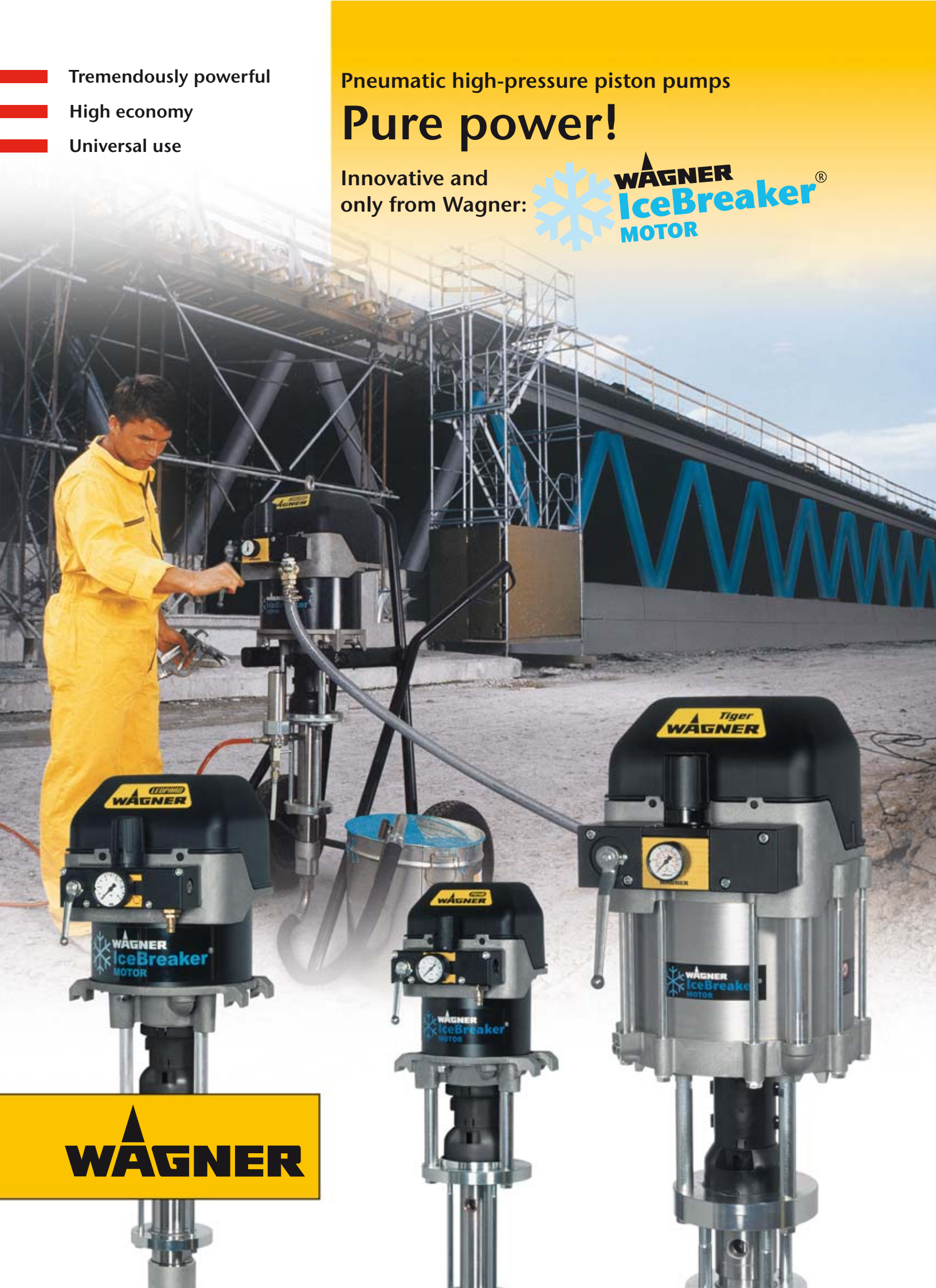
High economy

Universal use

Pneumatic high-pressure piston pumps

# Pure power!

Innovative and  
only from Wagner:



**WAGNER**

# Pneumatic high-pressure piston pumps

## A powerful range!

### TIGER, JAGUAR, LEOPARD, PUMA, WILDCAT... power made to measure!

With this range of products, WAGNER offers high-pressure piston pumps, co-ordinated in size and performance, which cover the whole spectrum of industrial and contractor applications.

Whether for window making operations or ship-yards, metal fabrication or heavy industry, low viscosity lacquers or high viscosity 2K corrosion proofing paint – **this range leaves nothing to be desired.**

### The innovation!

With the pneumatic piston pumps the **IceBreaker air motors** provide **decisive advantages for practical use!**

The design refinements have reduced the inevitable power losses due to **icing down to a minimum**. Interruptions to work due to the earlier need for thawing out are now a thing of the past!

### Powerful and economical!

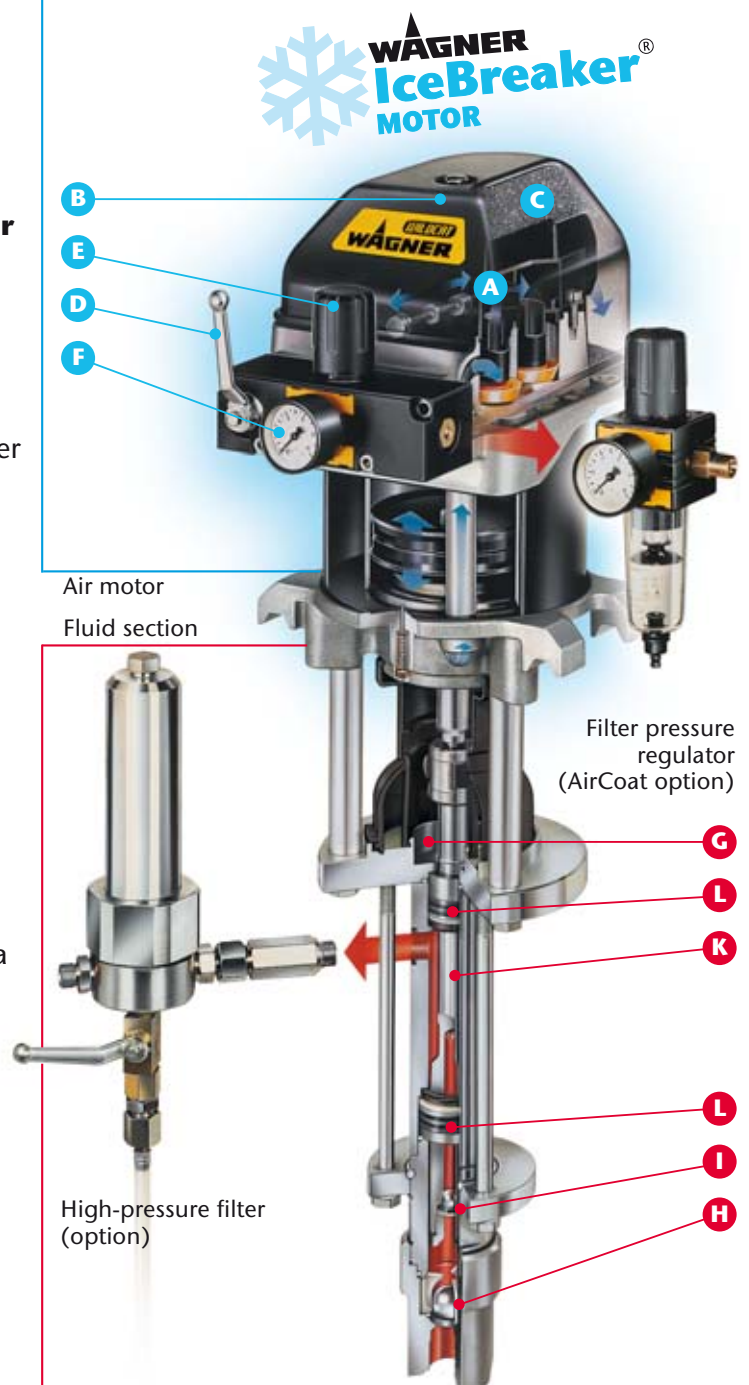
Due to their **high pressure intensification**, WAGNER high-pressure piston pumps convert energy into **perfect performance**. They have great reserves of power that will completely convince you in practical use and their great pressure will provide low-pulsation material flow for **brilliant atomisation**.

**Easily maintained fluid sections** reduce the down times due to maintenance and cleaning to a minimum. **Stainless steel quality** ensures low wear and long service life.



## Constant power thanks to low-icing IceBreaker air motors!

- **The new WAGNER IceBreaker air motor**
  - Minimal icing, thanks to new internal geometry (A)
  - The pneumatic control valve doesn't need any lubricating oil
  - Absolutely minimum pulsation to ensure a uniform spray jet
  - Solidly built control housing (B) with integral silencer (C)
  - Safety valve prevents over-pressurisation
- **Compact integral pressure regulator unit**
  - Shut-off / air bleed valve (D), pressure regulator (E), pressure gauge (F).





## High economy thanks to fast maintenance!

- **Faster maintenance = greater economy!**
- **Easily maintained fluid section**
  - Optimised inlet valve for simple hand assembly without tools
  - Easily cleaned separating fluid chamber (G)
  - Packing changed quickly without special tools
  - Easily replaced: Large inlet valves (H) and outlet valves (I) for optimum material flow
- **Stainless steel quality!**
  - All pump parts in contact with paint are made of stainless steel
  - Tungsten carbide valve seats
  - Hard chromed pump piston (K)
  - Static, self adjusting packings (L)
  - High-pressure filter (option) with replaceable filter inserts
- **Fewer components = less wear!**
- **3 years long-term warranty! \***

Further convincing proof of the reliability and quality of the new WAGNER piston pumps

*\* excluding wear parts*

## Spot on performance for universal use!

WAGNER high-pressure piston pumps come in a variety of types, sizes and performance classes – from the small WILDCAT right up to the powerful TIGER.

**Deliveries** (volumetric flow per double stroke) from **18/1.09** to **300/18.3 cc/cin**

**Working pressure** (maximum operating gauge pressure) from **120/1740** to **530/7700 bar/psi**

When choosing the right pump many factors have to be considered along with the delivery and the pressure:

- **Application technique**
- **Number of guns being supplied**
- **Hose lengths and delivery heads**

and of course the type of materials being applied plays a very decisive role.

On the following pages you will find all the high-pressure piston pumps with their most important performance data.

You can get further information from the Product Information sheets or have your WAGNER specialist adviser advise you personally and individually.





## TIGER 72-300

### Areas of application

High performance pumps for Airless coating in steel erection, shipyards, offshore industry, wagon building, tank and container coating, suitable for extremely long hose runs.

### High viscosity materials with a high solids content

e.g. water diluted and solvent based materials, primers, top coats, fillers, epoxy and polyurethane lacquers, oils and wood impregnation agents, emulsions, building paints, flame-proofing, zinc primers

### Technical data

Intensification ratio	72:1
Volumetric flow per double stroke	300 cc 18.3 cin
Volume for 40 double strokes	12 ltr/min 0.42 cfm
Volume max. free outlet	40 ltr/min 1.41 cfm
Max. working pressure	530 bar 7700 psi
Max. air inlet pressure	7.4 bar 107 psi
Air consumption at 6 bar per double stroke	170 nl 6 scft
Sound pressure level at max. permissible air pressure	82 dB(A)
Max. nozzle size at 150 bar	0.052"



## JAGUAR 38-300

### Areas of application

Universally usable pumps for Airless and AirCoat use in the manual and automatic area in many different industries, can be used for several guns.

### Low to high viscosity materials

e.g. water diluted and solvent based materials, primers, top coats, fillers, epoxy and polyurethane lacquers, oils and wood impregnation agents, emulsions, building paints, flame-proofing

### Technical data

Intensification ratio	38:1
Volumetric flow per double stroke	300 cc 18.3 cin
Volume for 60 double strokes	18 ltr/min 0.63 cfm
Volume max. free outlet	45 ltr/min 1.59 cfm
Max. working pressure	270 bar 3916 psi
Max. air inlet pressure	7.1 bar 103 psi
Air consumption at 6 bar per double stroke	80 nl 2.83 scft
Sound pressure level at max. permissible air pressure	83 dB(A)
Max. nozzle size at 150 bar	0.052"



## JAGUAR 75-150

### Areas of application

For Airless coating in steel erection, shipyards, offshore industry, wagon building, tank and container coating, suitable for extremely long hose runs.

### High viscosity materials with a high solids content

e.g. water diluted and solvent based materials, primers, top coats, fillers, epoxy and polyurethane lacquers, oils and wood impregnation agents, emulsions, building paints, flame-proofing, zinc primers

### Technical data

Intensification ratio	75:1
Volumetric flow per double stroke	150 cc 9.2 cin
Volume for 60 double strokes	9 ltr/min 0.32 cfm
Volume max. free outlet	30 ltr/min 1.06 cfm
Max. working pressure	530 bar 7700 psi
Max. air inlet pressure	7.1 bar 103 psi
Air consumption at 6 bar per double stroke	80 nl 2.83 scft
Sound pressure level at max. permissible air pressure	83 dB(A)
Max. nozzle size at 150 bar	0.035"







## LEOPARD 18-300

### Areas of application

Universally usable pumps for AirCoat use in the manual and automatic area in the wood and furniture industry, metal working businesses, for several guns. Also suitable for paint supply systems.

### Low to high viscosity materials

e.g. water diluted and solvent based materials, primers, top coats, fillers, epoxy and polyurethane lacquers, oils and wood impregnation agents, emulsions, release agents

### Technical data

Intensification ratio	18:1
Volumetric flow per double stroke	300 cc 18.3 cin
Volume for 60 double strokes	18 ltr/min 0.63 cfm
Volume max. free outlet	50 ltr/min 1.77 cfm
Max. working pressure	140 bar 2030 psi
Max. air inlet pressure	7.7 bar 112 psi
Air consumption at 6 bar per double stroke	37.3 nl 1.32 scft
Sound pressure level at max. permissible air pressure	83 dB(A)
Max. nozzle size	0.052"



## LEOPARD 35-150

### Areas of application

For Airless, AirCoat and electrostatic coating in the wood and furniture industry, metal working businesses, can be used for several guns.

### Low to high viscosity materials

e.g. water diluted and solvent based materials, primers, top coats, fillers, epoxy and polyurethane lacquers, oils and wood impregnation agents, emulsions, release agents

### Technical data

Intensification ratio	35:1
Volumetric flow per double stroke	150 cc 9.2 cin
Volume for 60 double strokes	9 ltr/min 0.32 cfm
Volume max. free outlet	35 ltr/min 1.24 cfm
Max. working pressure	270 bar 3916 psi
Max. air inlet pressure	7.7 bar 112 psi
Air consumption at 6 bar per double stroke	37.3 nl 1.32 scft
Sound pressure level at max. permissible air pressure	77 dB(A)
Max. nozzle size at 150 bar	0.035"



## LEOPARD 35-70

### Areas of application

For Airless, AirCoat and electrostatic coating in the wood and furniture industry, metal working businesses, steel erection, the transport industry.

### Low to high viscosity materials

e.g. water diluted and solvent based materials, primers, top coats, fillers, epoxy and polyurethane lacquers, oils and wood impregnation agents, emulsions, adhesives, spraying plasters

### Technical data

Intensification ratio	35:1
Volumetric flow per double stroke	70 cc 4.3 cin
Volume for 60 double strokes	4.2 ltr/min 0.15 cfm
Volume max. free outlet	35 ltr/min 1.24 cfm
Max. working pressure	250 bar 3625 psi
Max. air inlet pressure	7.1 bar 103 psi
Air consumption at 6 bar per double stroke	18.6 nl 0.66 scft
Sound pressure level at max. permissible air pressure	77 dB(A)
Max. nozzle size at 150 bar	0.021"





## PUMA 15-150

### Areas of application

For AirCoat and electrostatic coating in the wood and furniture industry, metal working businesses, can be used for several guns.

### Low to medium viscosity materials

e.g. water diluted and solvent based materials, primers, top coats, fillers, epoxy and polyurethane lacquers, oils and wood impregnation agents, release agents

### Technical data

Intensification ratio	15:1
Volumetric flow per double stroke	150 cc 9.2 cin
Volume for 60 double strokes	9 ltr/min 0.32 cfm
Volume max. free outlet	35 ltr/min 1.24 cfm
Max. working pressure	120 bar 1740 psi
Max. air inlet pressure	8 bar 116 psi
Air consumption at 6 bar per double stroke	16.5 nl 0.59 scft
Sound pressure level at max. permissible air pressure	77 dB(A)
Max. nozzle size	0.035"



## PUMA 15-70

### Areas of application

For AirCoat and electrostatic coating in carpentry and joinery firms, the wood and furniture industry, metal working businesses.

### Low to medium viscosity materials

e.g. water diluted and solvent based materials, primers, top coats, fillers, epoxy and polyurethane lacquers, oils and wood impregnation agents, release agents

### Technical data

Intensification ratio	15:1
Volumetric flow per double stroke	70 cc 4.3 cin
Volume for 60 double strokes	4.2 ltr/min 0.15 cfm
Volume max. free outlet	35 ltr/min 1.24 cfm
Max. working pressure	120 bar 1740 psi
Max. air inlet pressure	8 bar 116 psi
Air consumption at 6 bar per double stroke	8.3 nl 0.29 scft
Sound pressure level at max. permissible air pressure	77 dB(A)
Max. nozzle size	0.021"



## PUMA 28-40

### Areas of application

For Airless, AirCoat and electrostatic coating in carpentry and joinery firms, the wood and furniture industry, metal working businesses.

### Low to medium viscosity materials

e.g. water diluted and solvent based materials, primers, top coats, fillers, epoxy and polyurethane lacquers, oils and wood impregnation agents, emulsions, release agents

### Technical data

Intensification ratio	28:1
Volumetric flow per double stroke	40 cc 2.4 cin
Volume for 60 double strokes	2.4 ltr/min 0.08 cfm
Volume max. free outlet	18 ltr/min 0.64 cfm
Max. working pressure	224 bar 3250 psi
Max. air inlet pressure	8 bar 116 psi
Air consumption at 6 bar per double stroke	8.3 nl 0.29 scft
Sound pressure level at max. permissible air pressure	78 dB(A)
Max. nozzle size at 150 bar	0.019"





## WILDCAT 18-40

### Areas of application

For AirCoat and electrostatic coating in carpentry and joinery firms, the wood and furniture industry, metal working businesses.

### Low to medium viscosity materials

e.g. water diluted and solvent based materials, primers, top coats, fillers, epoxy and polyurethane lacquers, oils and wood impregnation agents, emulsions, release agents

### Technical data

Intensification ratio	18:1
Volumetric flow per double stroke	40 cc 2.4 cin
Volume for 60 double strokes	2.4 ltr/min 0.08 cfm
Volume max. free outlet	18 ltr/min 0.64 cfm
Max. working pressure	144 bar 2090 psi
Max. air inlet pressure	8 bar 116 psi
Air consumption at 6 bar per double stroke	5.3 nl 0.19 scft
Sound pressure level at max. permissible air pressure	77 dB(A)
Max. nozzle size	0.019"



## 22-18 S

### Areas of application

For Airless, AirCoat and electrostatic coating in carpentry, wood and metal working businesses; especially suited for the application of small quantities.

### Low to medium viscosity materials

e.g. water diluted and solvent based materials, primers, top coats, release agents and oils

### Technical data

Intensification ratio	22:1
Volumetric flow per double stroke	18 cc 1.09 cin
Volume for 60 double strokes	1.08 ltr/min 0.04 cfm
Volume max. free outlet	3.5 ltr/min 0.12 cfm
Max. working pressure	176 bar 2552 psi
Max. air inlet pressure	8 bar 116 psi
Air consumption at 6 bar per double stroke	3 nl 0.11 scft
Sound pressure level at max. permissible air pressure	80 dB(A)
Max. nozzle size	0.015"



## Application and paint supply made to measure!

As well as the high-pressure pumps shown here, WAGNER also offers a range of other pumps:

### Low-pressure piston pumps

A powerful range for made-to-measure paint supply.

### WAGNERcolora Double diaphragm pumps

Powerful pumps for the delivery of an extremely wide range of materials and liquids.

### COBRA 40-10 high-pressure double diaphragm pump

The latest highly interesting innovation from WAGNER.

LEOPARD 8-600



COBRA 40-10



ZIP 52



### Mixing ...

WAGNER high-pressure piston pumps, in combination with the **Intellimix** and **FlexControl family** electronic mixing and dosing equipment, are ideally suited for the large range of 2K and 3K coatings.

### Paint supply systems

We design and build complete installations, right up to pipeline systems matched to your requirements.





# The spray packs, the accessories: Equipment as you want it!

JAGUAR 38-300 Airless-Spray pack, with trolley



Leopard 18-300 AirCoat Spray pack with wall mount and 2 guns



## Spray packs

Whether AirCoat, Airless, electrostatic, mobile or stationary – select your pump from an extensive range of spray packs.

Product information under [www.wagner-group.com](http://www.wagner-group.com)

Drum siphon with agitator and suction system



Wall mount



Base stand



High-pressure filter



## Accessories

There is a wide range of accessories for the WAGNER high-pressure piston pumps

- Wall mounts
- Base stands
- Lifting equipment
- Hoses
- Suction systems
- Filters
- Agitators, etc

Product information under [www.wagner-group.com](http://www.wagner-group.com)

AirCoat guns



Airless guns



Electrostatic guns



## Guns

WAGNER manual guns for AirCoat, Airless and electrostatic applications guarantee the highest quality surface. Select the right gun types and nozzles for you, from our extensive range.

Product information under [www.wagner-group.com](http://www.wagner-group.com)

The WAGNER logo, featuring a black triangle above the word "WAGNER" in bold, black, sans-serif capital letters.

[www.wagner-group.com](http://www.wagner-group.com)

